

## 591 Non Interval Aggregation

The following statement will be true for the composition of the 591 Market Message

Invalid Combinations should not be populated in the message, however if there are no MPRNs registered for a valid combination then a count of zero should be populated in the message

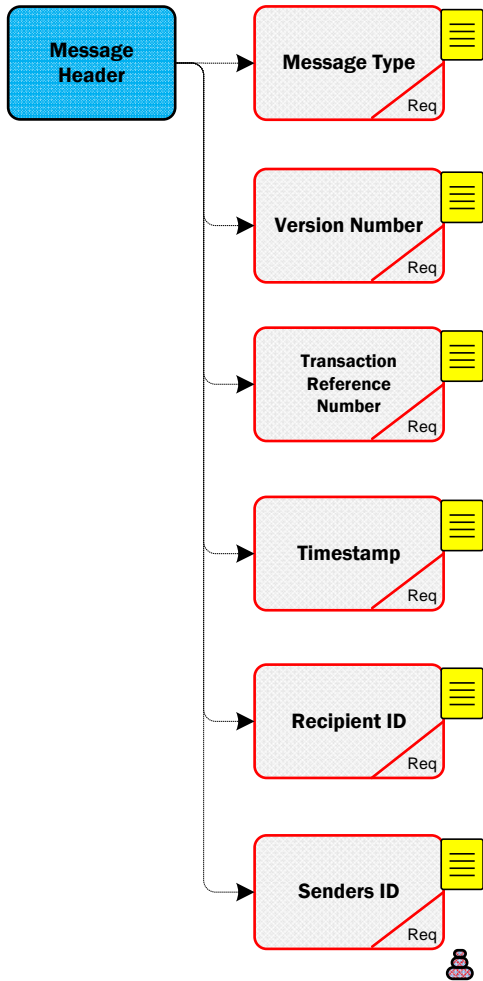
The implication of this statement is that where the DLF is LV:

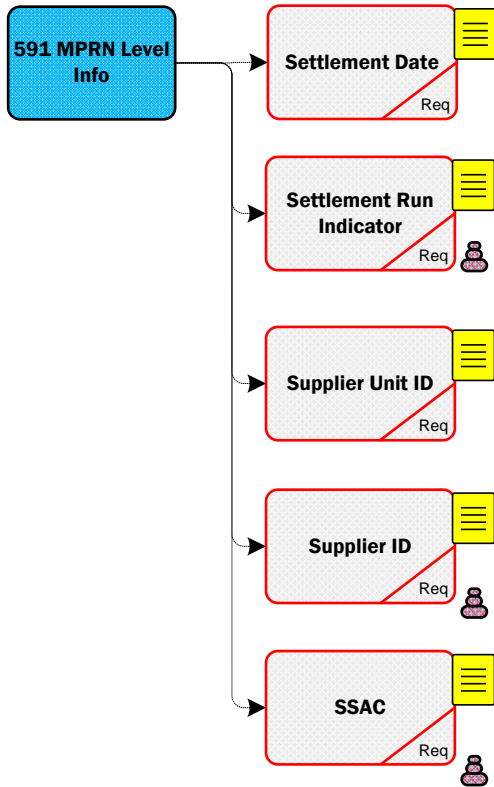
the count of MPRNs , Load profile and DLF will always be included for each of the Load Profiles 01-12 in the segment Additional Aggregation Information

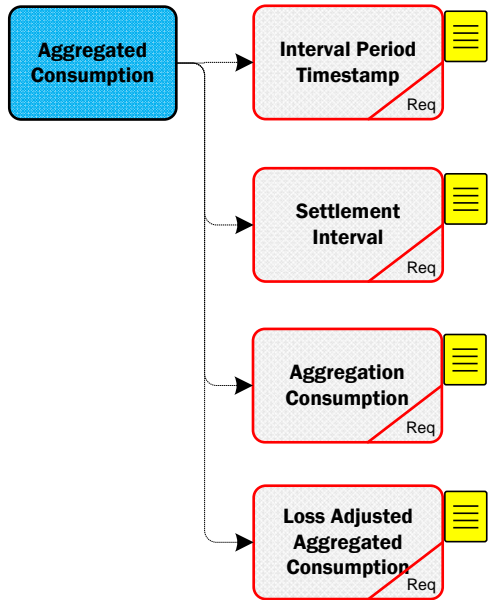
And where the Count of MPRNs is zero, none of the lower level segments will be populated viz no Additional Aggregated Consumption, no Additional Aggregation Data segments for that Load Profile/DLF combination

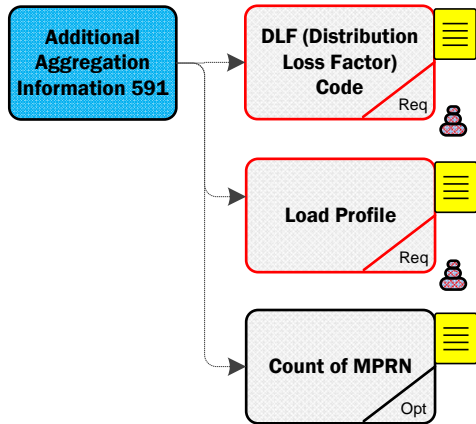
where the DLF is not LV:

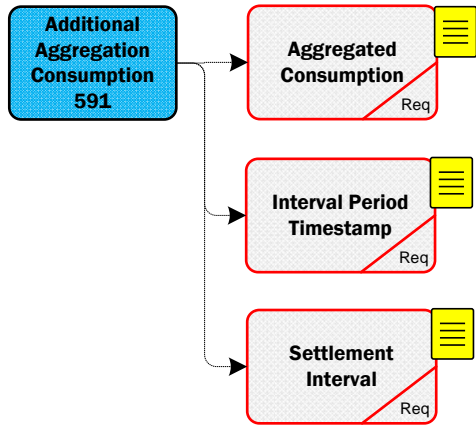
there should be none of the segments : Additional Aggregation Information , Additional Aggregated Consumption, Additional Aggregation Data segments

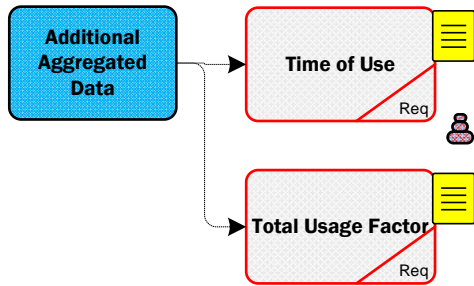








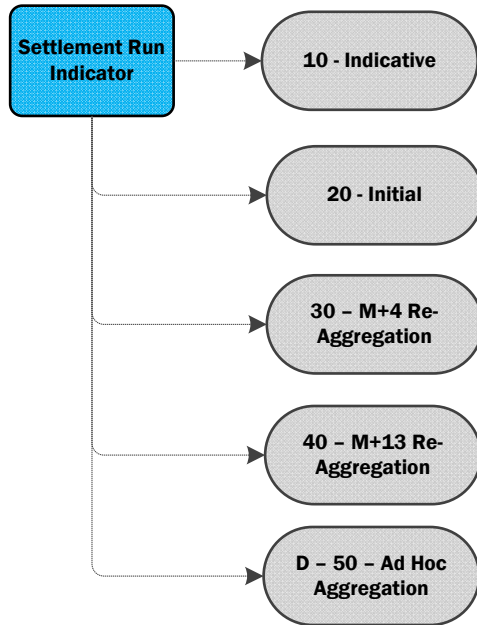






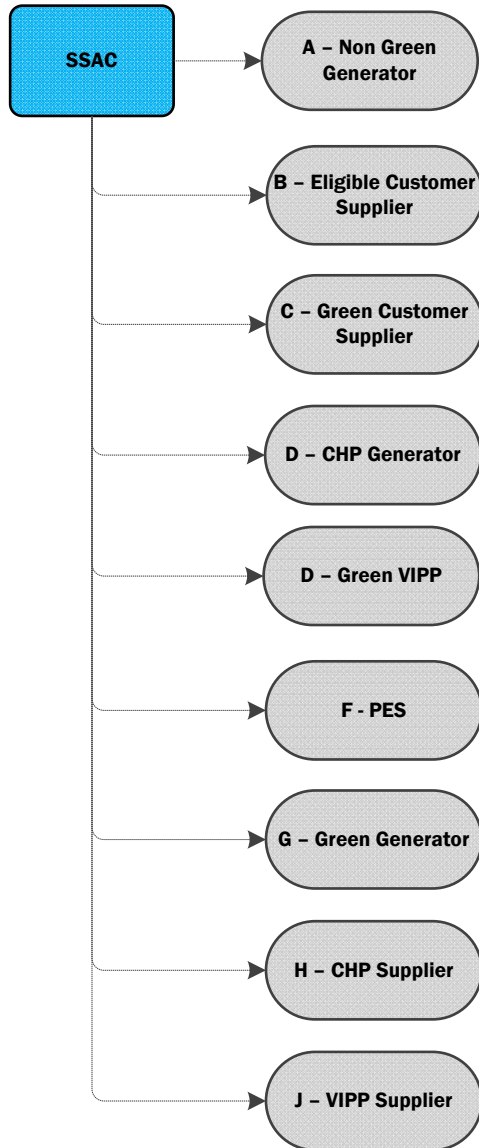
**Senders  
ID**

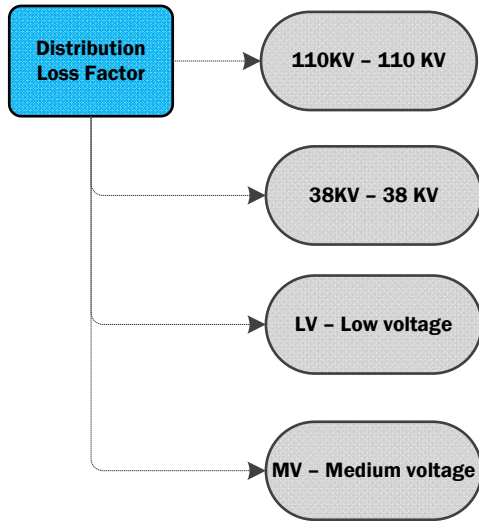
**Click Here for Latest  
Senders ID  
List**



**Supplier  
ID**

**Click Here for Latest  
Supplier ID  
List**





### Load Profile

01 - Urban Domestic  
Unrestricted

10 - Unmetered - Flat

02 - Urban Domestic  
Day/Night

11 - Public Lighting  
Dusk/Dawn

03 - Rural Domestic  
Unrestricted

12 - Public Lighting  
Dusk/Midnight

04 - Rural Domestic  
Day/Night

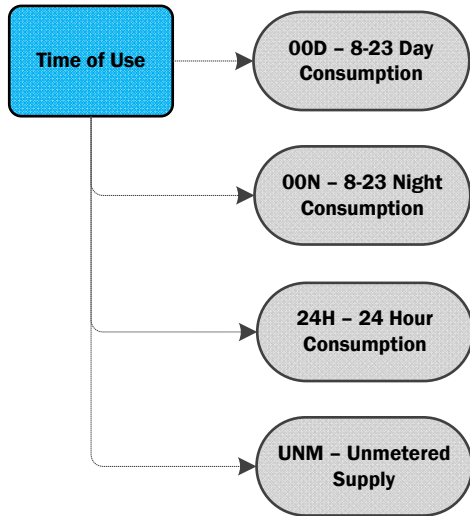
05 - Non Domestic  
Unrestricted

06 - Non Domestic  
Day/Night

07 - MD with LF up  
to (but not including)  
30%

08 - MD with LF greater  
than or equal to 30% but  
less than 50%

09 - MD with LF  
greater than or equal  
to 50%



## 591 Non Interval Aggregation

Version Which Implemented	Source of Change	Description of Change
10.4	MCR 1155	Message format changed from ARIS to Document format.