

# 111A Change of Supplier Cancellation Notification

## 111A Valid Codes

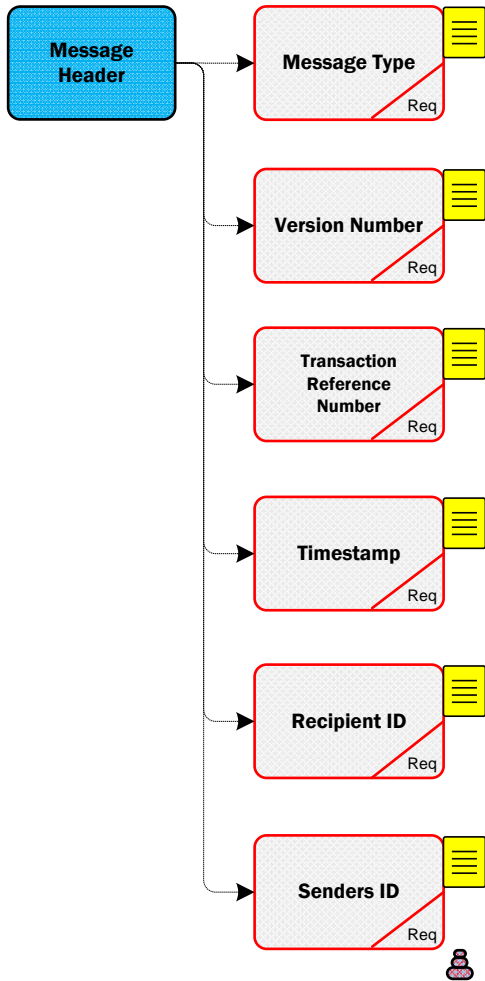
### Valid Codes

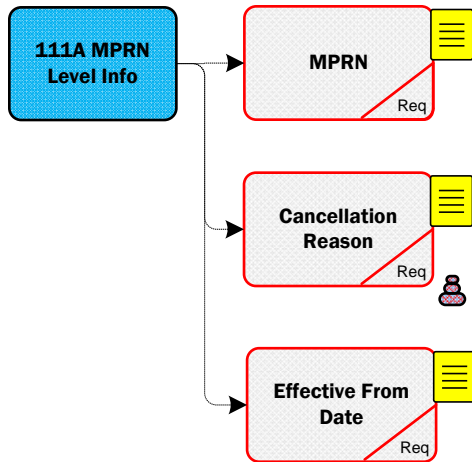
### Cancellation Reason

**CR** denotes that the customer requests cancellation

**ME** denotes that MRSO requests cancellation

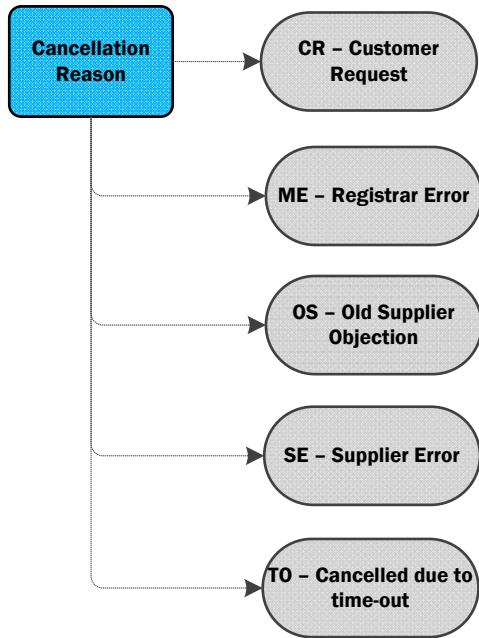
**SE** denotes that the Supplier requests cancellation





**Senders  
ID**

**Click Here for Latest  
Senders ID  
List**



## 111A Change of Supplier Cancellation Notification

Version Which Implemented	Source of Change	Description of Change
10.4	MCR 1155	Message format changed from ARIS to Document format.