

# 111 Registration Cancellation

## 111 Valid Codes

### Please Note:

#### Market Participant Business Reference

Where cancellation reason is **TO** - Cancelled due to time-out this will be a reference to the Market Participant Business Reference provided in the Message Header of the 010 message sent by the registering Supplier to MRSO.

Where cancellation reason is **ME** - MRSO Error this is not populated.

Otherwise this will be a reference to the Market Participant Business Reference provided in the Message Header of the 011 message sent by the cancelling Supplier to MRSO.

#### Supplier ID

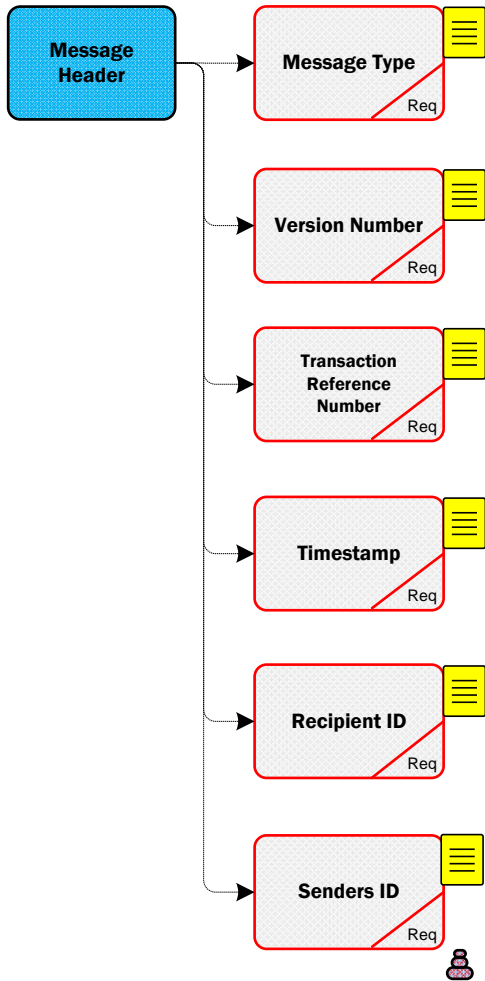
This is the identity of either:

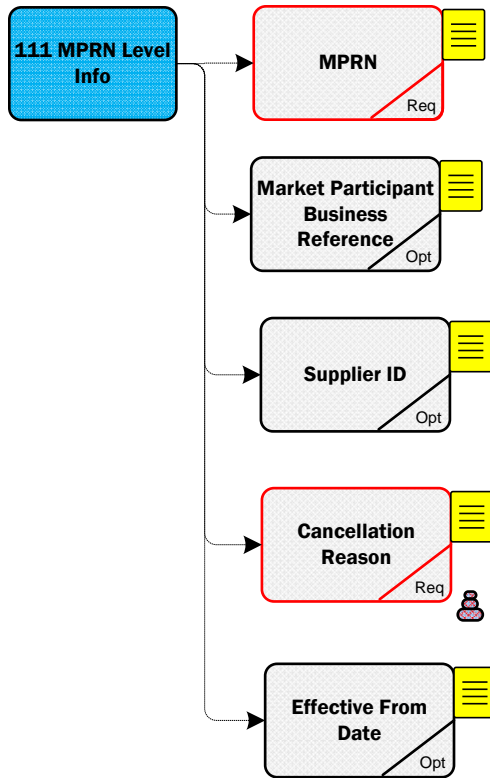
- the re-instated Supplier following the cancellation of a completed Change of Supplier; or
- the currently registered Supplier following the cancellation of an incomplete Change of Supplier.

It is not provided for a cancel

**Optional/Mandatory;** Although the following Data Items are optional, note the following caveats:-

Supplier ID: Identity of reinstated supplier



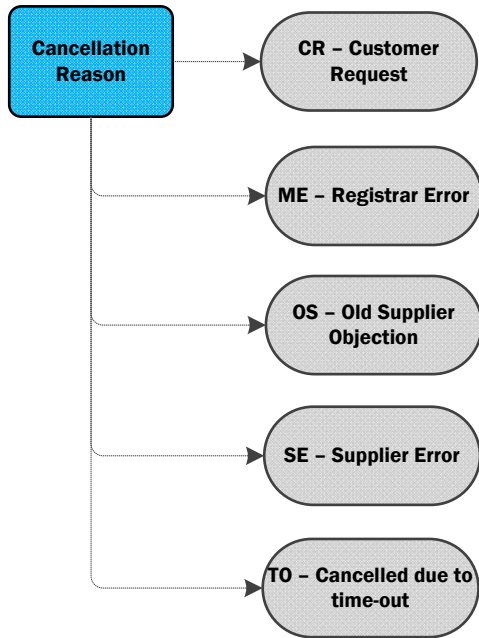


**Senders  
ID**

**Click Here for Latest  
Senders ID  
List**

**Supplier  
ID**

**Click Here for Latest  
Supplier ID  
List**



# 111 Registration Cancellation

Version Which Implemented	Source of Change	Description of Change
10.4	MCR 1155	Message format changed from ARIS to Document format.